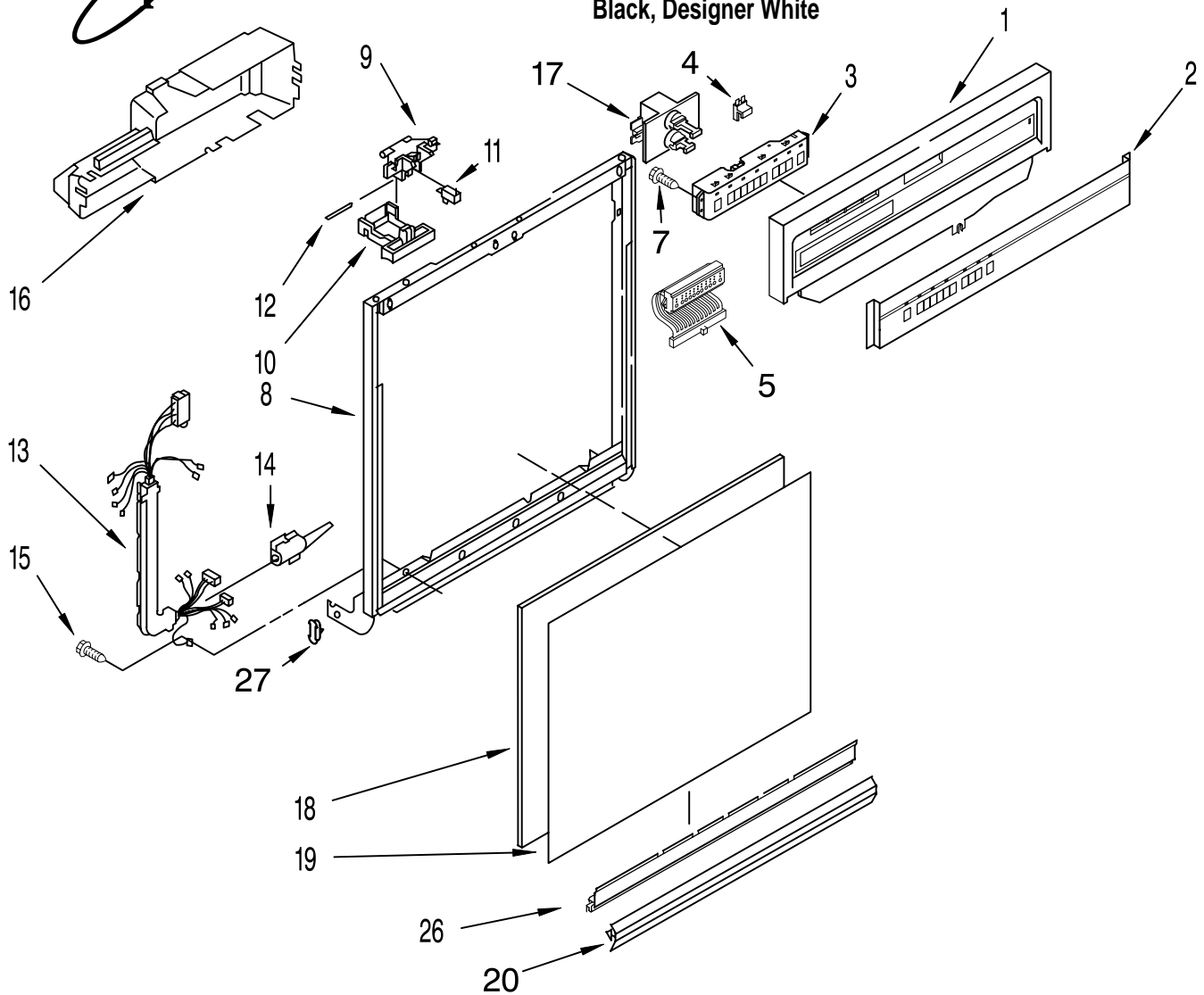




FRAME AND CONSOLE PARTS

For Model: DU929QWDB0, DU929QWDQ0
Black, Designer White

UNDERCOUNTER
DISHWASHER



Illus. No.	Part No.	DESCRIPTION
1		Console (Includes Item 2)
	3380921	Black
	3380922	White
2		Insert, Console
	3380891	Black
	3380892	White
3	3375556	Control, Electronic
4	3376359	Fuse, Thermal
5	3376474	Switch, Display
7	304231	Screw, 8-18 x 1/2 (5)
8		Door Frame (Includes Item 26)
	3374711	Black
	3374712	White

Illus. No.	Part No.	DESCRIPTION
9	3380854	Bolt, Latch
10		Lever, Latch
	3369457	Black
	3372231	White
11	3369325	Switch, (2)
12	3368955	Pin, Switch (2)
13	3379190	Harness and Protector
14	3376405	Elbow, Harness
15	3400803	Screw, 8-32 x 1/4
16	3375473	Cover Timer
17	3374501	Motor, Dual
18	3374777	Door, Sound Absorber

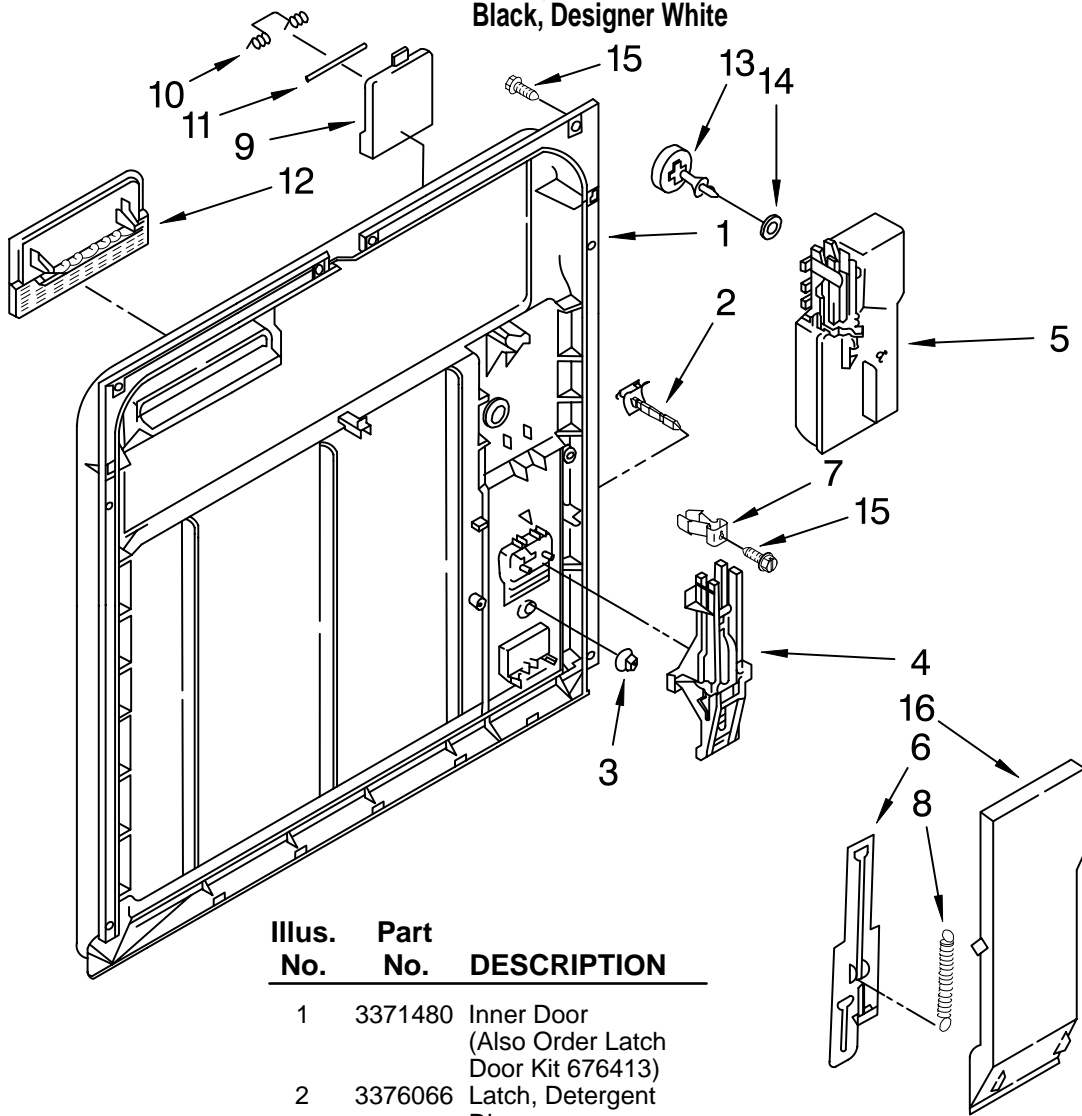
Illus. No.	Part No.	DESCRIPTION
19		†Panel, Front
	3369516	(Almond/Black)
	3369769	(Black/White)
20		Retainer, Panel
	3374010	Black
	3374011	White
26	3374716	Channel, Retainer (Also Order Item #20)
27	3373234	Bearing, Spring (2)

†Refer To Dishwasher Replacement Panel Parts List No. 675345.

FOR ORDERING INFORMATION REFER TO PARTS PRICE LIST

INNER DOOR PARTS

For Model: DU929QWDB0, DU929QWDQ0
Black, Designer White

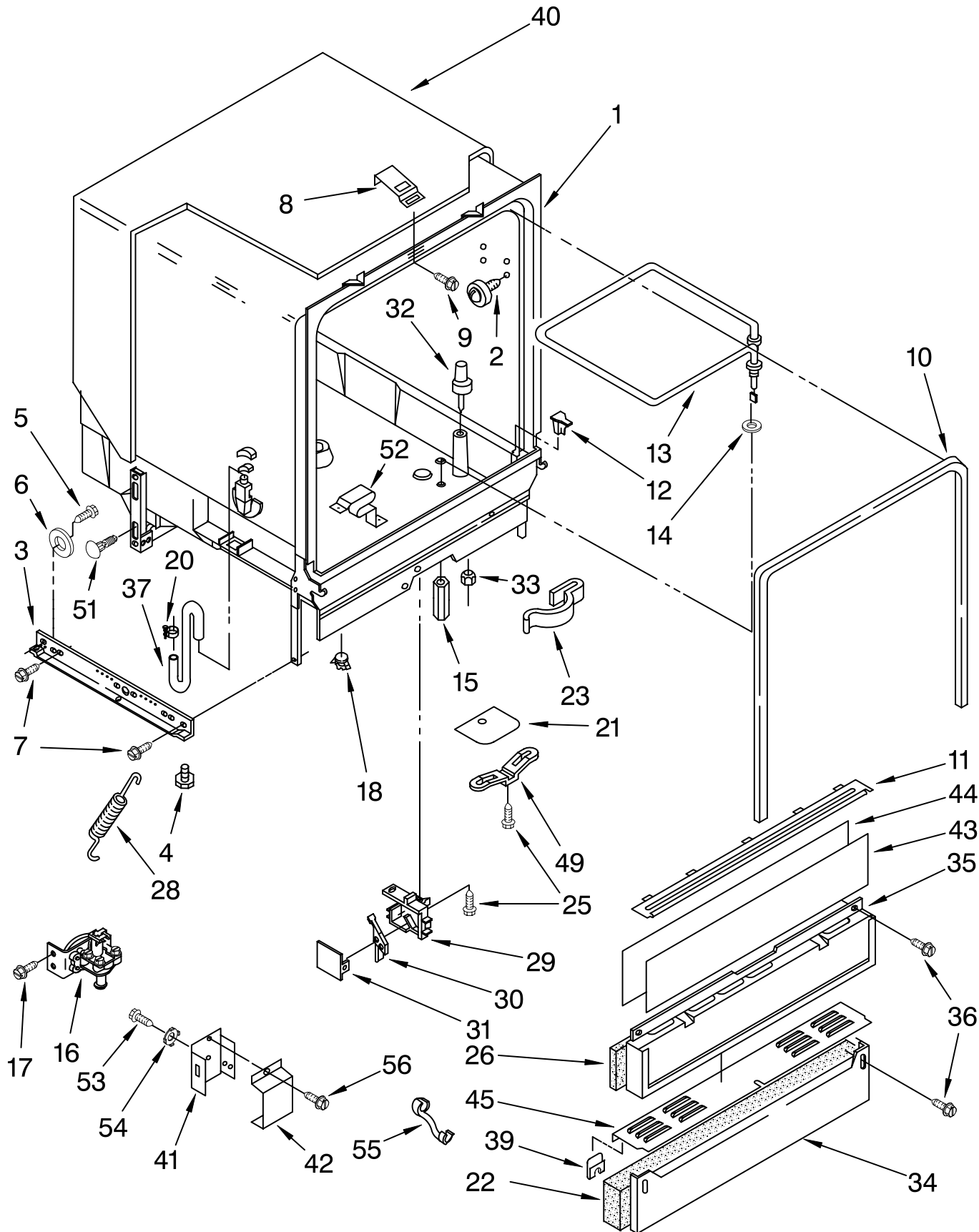


Illus. No.	Part No.	DESCRIPTION
1	3371480	Inner Door (Also Order Latch Door Kit 676413)
2	3376066	Latch, Detergent Dispenser
3	3369061	Snap, Detergent Dispenser
4	3369505	Actuator Assembly
5	3369506	Wet Agent, Dispenser
6	3369448	Draw Bar, Electronic
7	3374771	Clip, Console Door Retainer
8	3368999	Spring (Draw Bar)
9	3378138	Lid Assembly
10	300106	Spring, Lid
11	3372028	Pin (Lid Hinge)
12	3371710	Screen, Vent
13	3369512	Wet-Agent Cap Assembly
14	3369155	Seal (Wet-Cap)
15	3400815	Screw (8)
16	3371569	Cover, Drip

FOR ORDERING INFORMATION REFER TO PARTS PRICE LIST

TUB ASSEMBLY PARTS

For Model: DU929QWDB0, DU929QWDQ0
Black, Designer White



FOR ORDERING INFORMATION REFER TO PARTS PRICE LIST

TUB ASSEMBLY PARTS

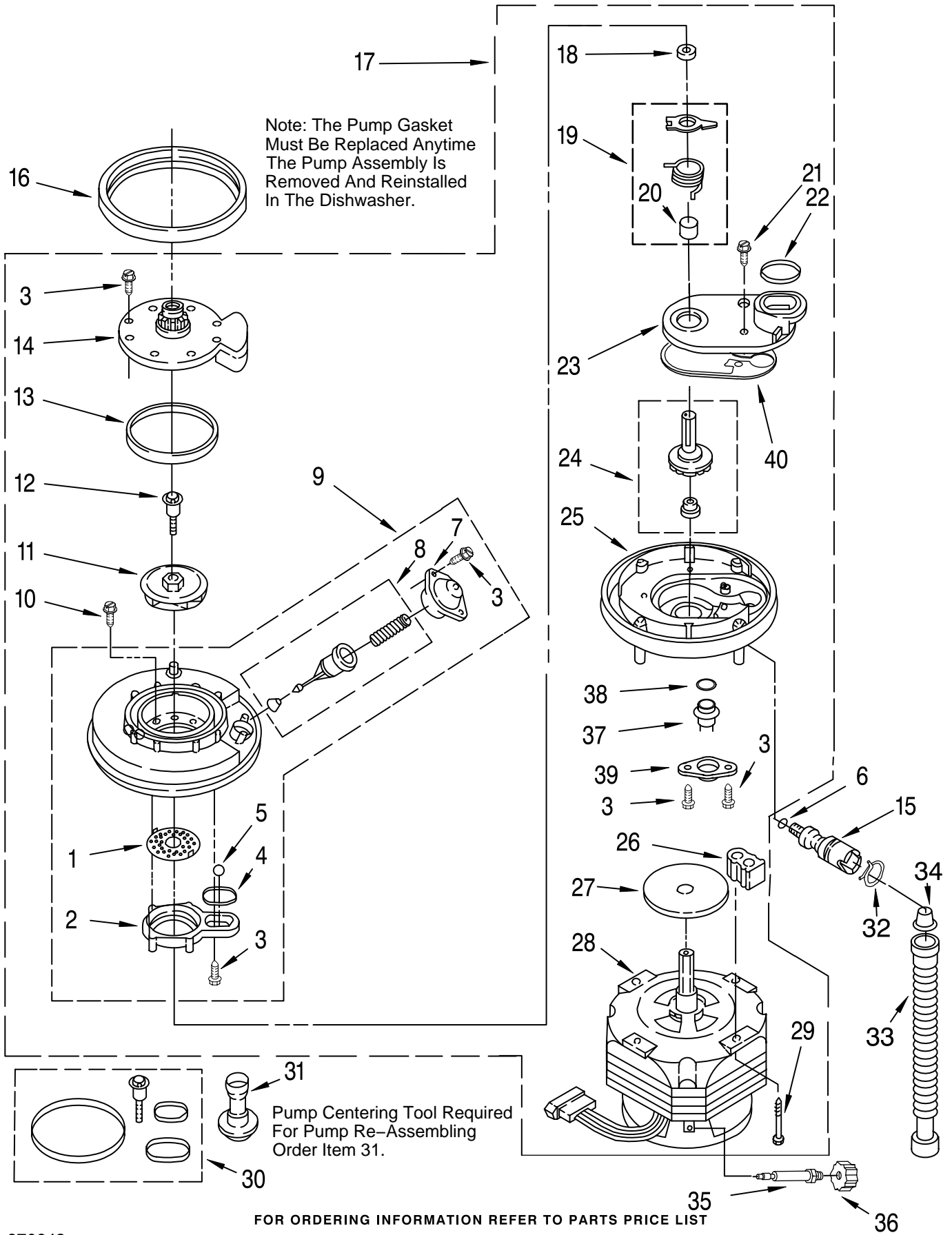
For Model: DU929QWDB0, DU929QWDQ0
Black, Designer White

Illus. No.	Part No.	DESCRIPTION	Illus. No.	Part No.	DESCRIPTION	Illus. No.	Part No.	DESCRIPTION
1	3379349	Tub Assembly	18	3370783	Thermostat, Hi-Limit	36	302868	Screw, 8-18 x 1/2 (4)
2	3380371	Tub, Wheel Assembly (8)	20	301958	Clamp	37	3369414	Hose, Inlet
3	3368933	Runner (2)	21	3376149	Shield, Thermostat	39	3378123	Clip, Grounding
4	3376439	Leveler (2)	22	3374767	Insulation, Toe Panel	40	9743172	Sound Shield
5	3370389	Screw, Shoulder (2)	23	98997	Clip, Harness	41	3378131	Terminal Box
6	302819	Wheel (2)	25	304231	Screw, 8-18 x 1/2	42	300068	Cover Assembly, Terminal Box
7	343641	Screw, 10-16 x 1/2 (4)	26	3382404	Sound Shield	43		†Access Panel (Almond/Black)
8	3374719	Plate, Latch	28	3374343	Spring, Door (2)		3369527	
9	3374720	Screw	29	3369048	Housing, Float Switch	44	3369526	Spacer, Corrugated
10	3376927	Gasket	30	3369067	Switch, Float	45	3374728	Extension & Clip Assembly
11		Retainer, Access Panel	31	3369049	Cover, Switch Housing	49	3378595	Bracket, Thermostat
	3372412	Black	32	3376397	Float & Washer Assembly	51	304666	Retainer, Push (2)
	3372413	White	33	717488	Nut	52	3379740	Support, Heater
12	3369052	Deflector (2)	34		Toe Panel (Includes Item 22)	53	3400014	Screw
13	3379487	Heater (Includes Item 14)		3375423	Black	54	3378128	Washer
14	717273	Washer, Rubber (2)		9742869	White	55	3370307	Strain Relief
15	3378706	Nut (2) (Heater Terminal)	35		Panel, Access	56	3369138	Screw, 8-18
16	3378779	Water Valve		3369193	Black			†Refer To Dishwasher Replacement
17	304392	Screw, 8-18 x 1/2		3369614	White			Panel Parts List No. 675345.

FOR ORDERING INFORMATION REFER TO PARTS PRICE LIST

PUMP AND MOTOR PARTS

For Model: DU929QWDB0, DU929QWDQ0
Black, Designer White



PUMP AND MOTOR PARTS

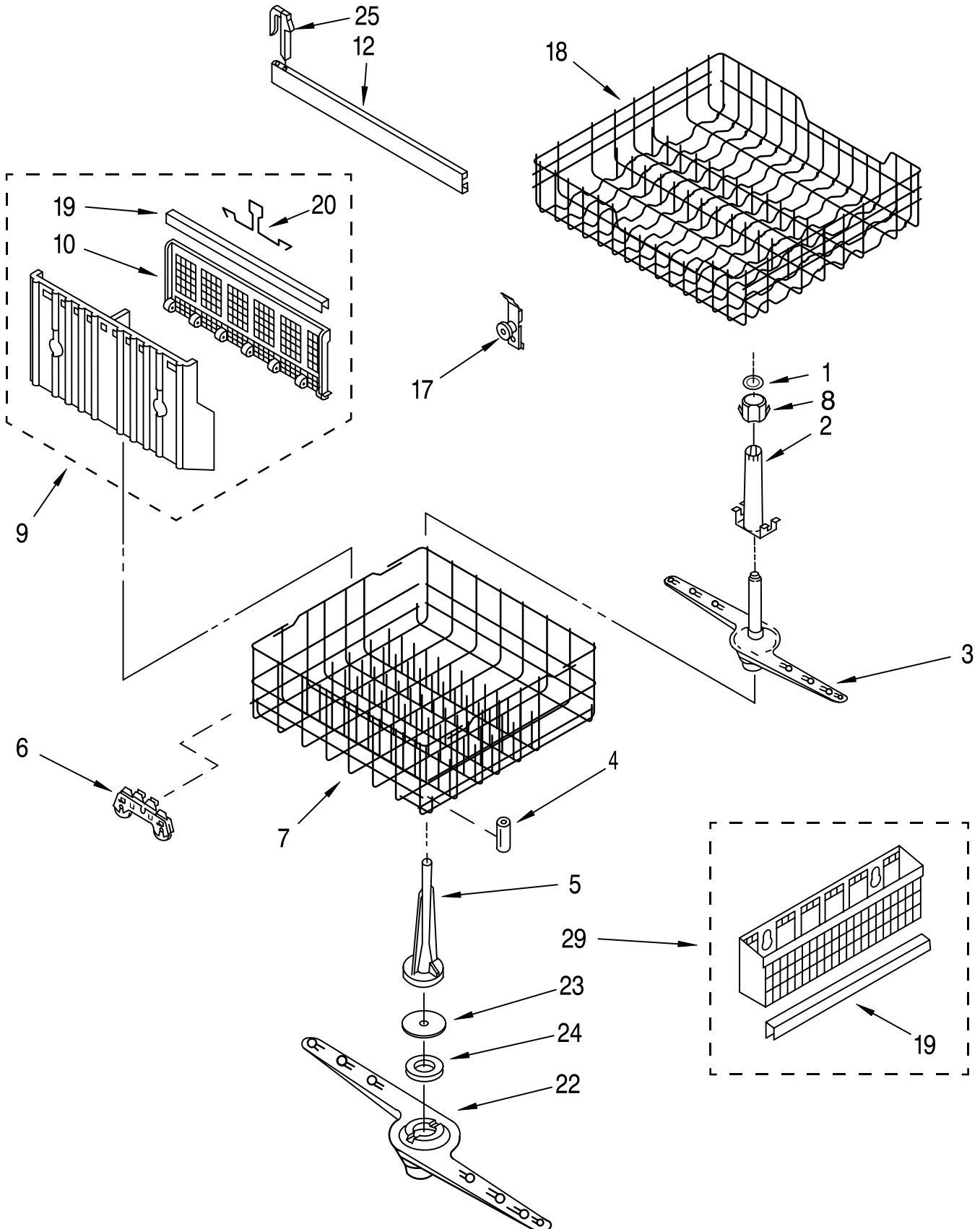
For Model: DU929QWDB0, DU929QWDQ0
Black, Designer White

Illus. No.	Part No.	DESCRIPTION	Illus. No.	Part No.	DESCRIPTION	Illus. No.	Part No.	DESCRIPTION
1	9740982	Plate, Perforated (Includes Item 5) (Also Order Item 30) See Note A.	14	3369478	Outlet, Pump (Includes Item 13)	27	3368270	Slinger (See Note A.)
2	3367173	Base, Inlet (Includes Items 1 & 5) (Also Order Item 30) See Note A.	15	3369482	Check Valve (Includes Item 6)	28	3379364	Motor & Fan Assembly (Includes Item 27) (Also Order Item 30) See Note A.
3	9741232	Screw, 8-18 x 5/8	16	717000	Gasket, Pump	29	3369331	Screw (4)
4	302710	Seal, Inlet Base	17	3376752	Pump & Motor Assembly (Includes Item 16)	30	675505	Pump Seal Kit (Includes Items 4, 12, 13 & 22)
5	302709	Ball, Check	18	302707	Bushing, Grind	31	303918	Tool, Pump Centering
6	95080	"O" Ring	19	302718	Chopper Kit (Also Order Item 30) See Note A.	32	356138	Clamp, Hose
7	302721	Cover, Valve	20	3378139	Sleeve, Drain Impeller	33	3374077	Hose, Drain
8	302738	Valve Stem Kit (Includes Items 12, 13 & 22) See Note A.	21	9741321	Screw, 8-18 x 5/8	34	3371748	Cap, Drain
9	303882	Separator Assembly (Includes Items 12, 13 & 22) See Note A.	22	302704	Seal, Drain Cover	35	3374757	Shaft, Absorber
10	3400001	Screw, 8-16 x 1-5/8 (4)	23	3378207	Cover, Drain (Also Order Item 30) See Note A.	36	3378202	Weight, Absorber
11	303510	Impeller, Wash (Includes Items 12 & 13)	24	303539	Impeller, Drain Kit (Also Order Item 30) See Note A.	37	3378083	Thermostat
12	3371152	Screw & Seal, 10-32 x 3/4	25	3376157	Base, Pump (Also Order Item 30) See Note A.	38	3376723	Seal, O-Ring
13	302711	Seal, Pump Outlet	26	3367197	Support, Pump Mounting (4)	39	3376358	Retainer, Thermostat
						40	9740674	Gasket, Drain Cover

NOTE A:
Pump Centering Tool Required
For Pump Re-Assembling—
Order Item 31.

DISHRACK PARTS

For Model: DU929QWDB0, DU929QWDQ0
Black, Designer White



FOR ORDERING INFORMATION REFER TO PARTS PRICE LIST

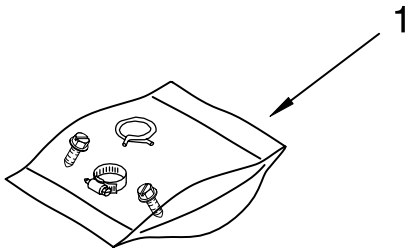
DISHRACK PARTS

For Model: DU929QWDB0, DU929QWDQ0
Black, Designer White

Illus. No.	Part No.	DESCRIPTION
1	303722	Clip
2	3368290	Support, Arm (Also Order Items 1 & 8)
3	3377274	Spray Arm, Upper (Also Order Items 1 & 8)
4	3368006	Bumper (2)
5	300848	Tower, Pressure
6	3376961	Wheel & Transport Assembly (4)
7	3370490	Dishrack, Lower (Includes Items 4 & 6)
8	3374702	Support, Lock Spray Arm
9	3369488	Silverware Basket Assembly
10	3369485	Cover, Basket
12	9742998	Track
17	3380860	Adjuster Assembly
18	3368896	Dishrack, Upper
19	717528	Trim, Basket
20	300086	Handle, Basket
22	3369347	Sprayarm, Lower
23	3367910	Cap, Nozzle
24	719576	Bearing, Nozzle
25	3379941	Stop, Track (4)
29	3369494	Basket, Utensil (Includes Item 19)

MISCELLANEOUS PARTS

For Model: DU929QWDB0, DU929QWDQ0
Black, Designer White



Illus. No.	Part No.	DESCRIPTION
1	3369816	Miscellaneous Parts Bag (Includes 2 Screws & 2 Hose Clamps)

LITERATURE AND OPTIONAL PARTS

Illus. No.	Part No.	DESCRIPTION
------------	----------	-------------

PAINT, TOUCH-UP (1/2oz.)

72017	White
72107	Almond
72032	Black

PAINT, PRESSURIZED SPRAY (13 oz.)

350956	Almond
285006	Superior Black

PAINT, TOUCH-UP (1 qt.)

978883	Almond (Uncut)
799340	Black (Uncut)

Illus. No.	Part No.	DESCRIPTION
------------	----------	-------------

OPTIONAL PARTS NOT INCLUDED

DISHRACK REPAIR

675576	Vinyl Touch-Up (Blue)
675677	Tine Tip Repair Kit (Blue— Enough For Two Complete Dishracks)
676453	Vinyl Touch-Up (White)
675679	Tine Tip Repair Kit (White— Enough For Two Complete Dishracks)
676455	Vinyl Touch-Up (Grey)
676458	Tine Tip Repair Kit (Grey— Enough For Two Complete Dishracks)

Illus. No.	Part No.	DESCRIPTION
------------	----------	-------------

ACCESSORY PARTS

4317925	White
4317929	Almond

4318050	Heavy Duty
---------	------------

LITERATURE PARTS

LIT3380268	Instructions, Installation
LIT3367007	Instructions, Installation (Supplement) (Locating Your Water Supply)
LIT3381327	Energy Guide
LIT3381175	Guide, Use & Care
LIT3379195	Tech Sheet

Following May Be Purchased

DO-IT-YOURSELF REPAIR MANUALS

LIT0677967	Do-It Yourself, Manual
------------	------------------------

FOR ORDERING INFORMATION REFER TO PARTS PRICE LIST